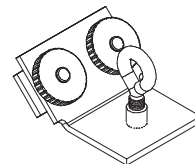
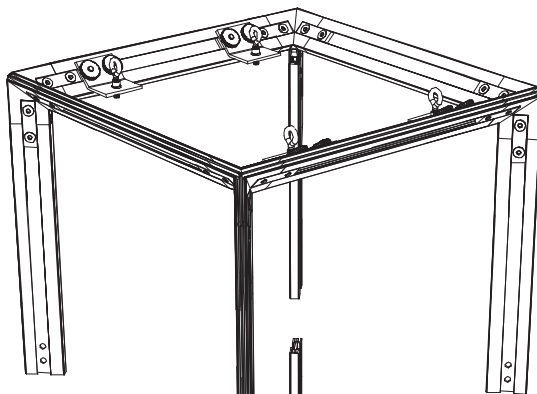
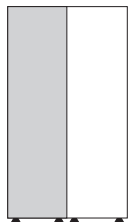
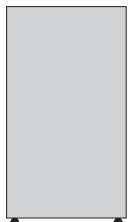
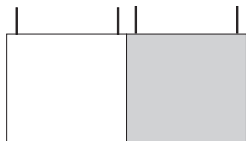
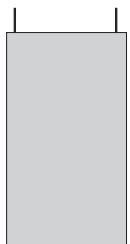
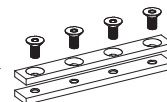
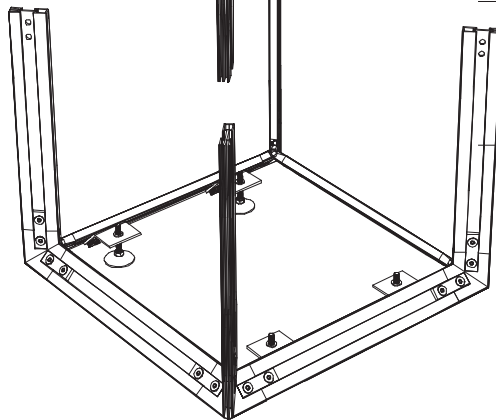




KUBUS-System

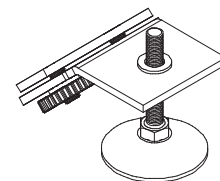


K4F.HK-00000-00

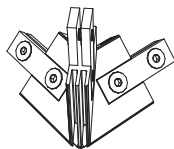


N4F.C6-LV150-00

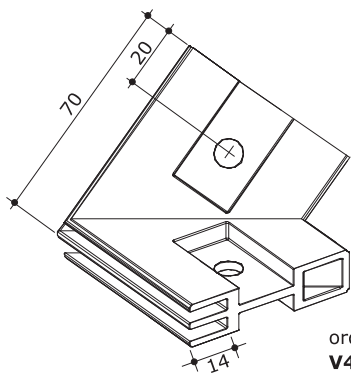
S4F.C6-00000-01



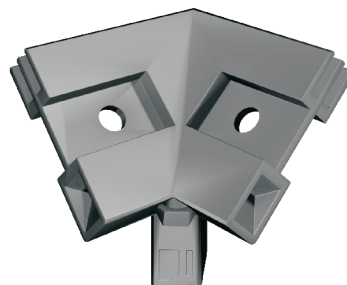
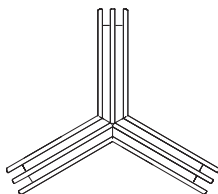
K4F.FK-00000-00



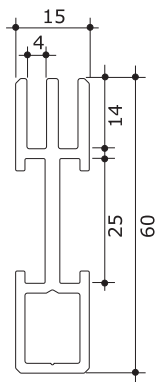
V4F.C6-003PD-00
V4F.C6-LV070-00



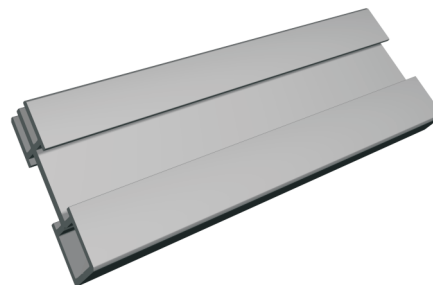
ord.no.
V4F.C6-003PD-00
 zinc die casting



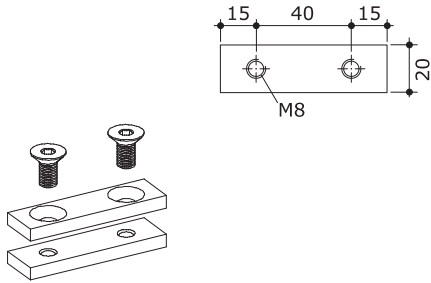
Tripod for flat keder profile



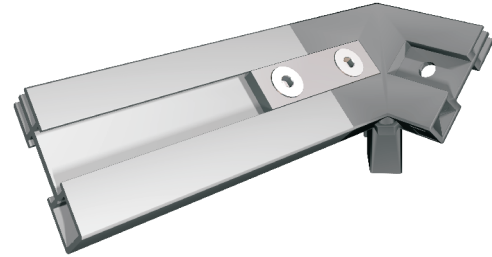
ord.no.
S4F.C6-00000-01
 clear anodized finish E6/EV1
 production length 6100mm



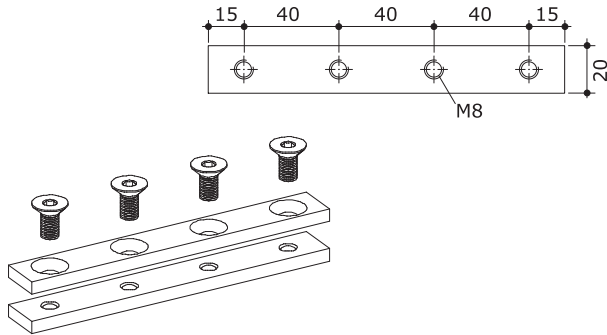
flat keder profile



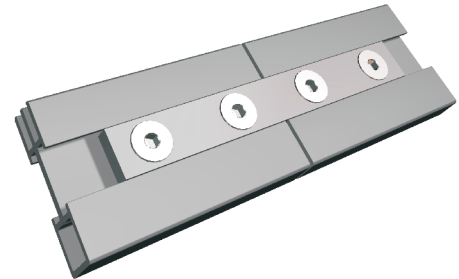
ord.no.
V4F.C6-LV070-00



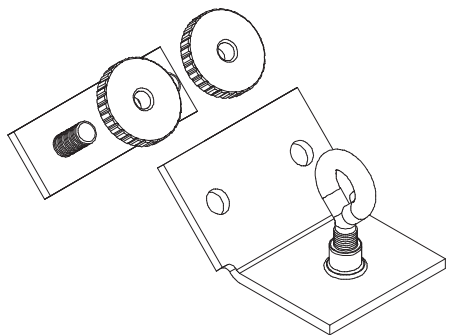
connector Tripod-flat keder profile



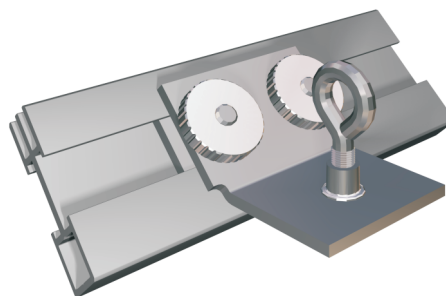
ord.no.
V4F.C6-LV150-00



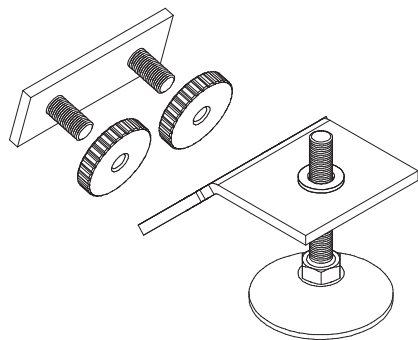
longitudinal connector for flat keder profiles



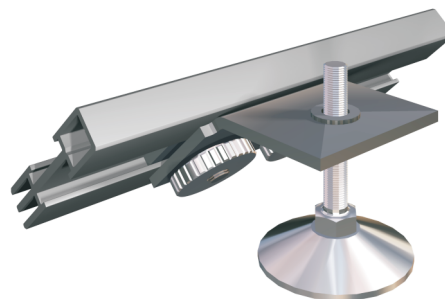
ord.no.
K4F.HK-00000-00



bracket with eye bolt

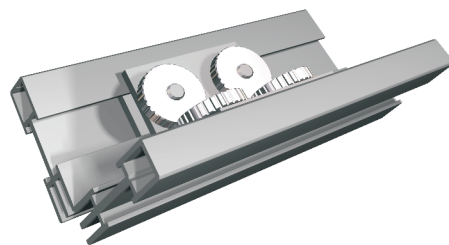
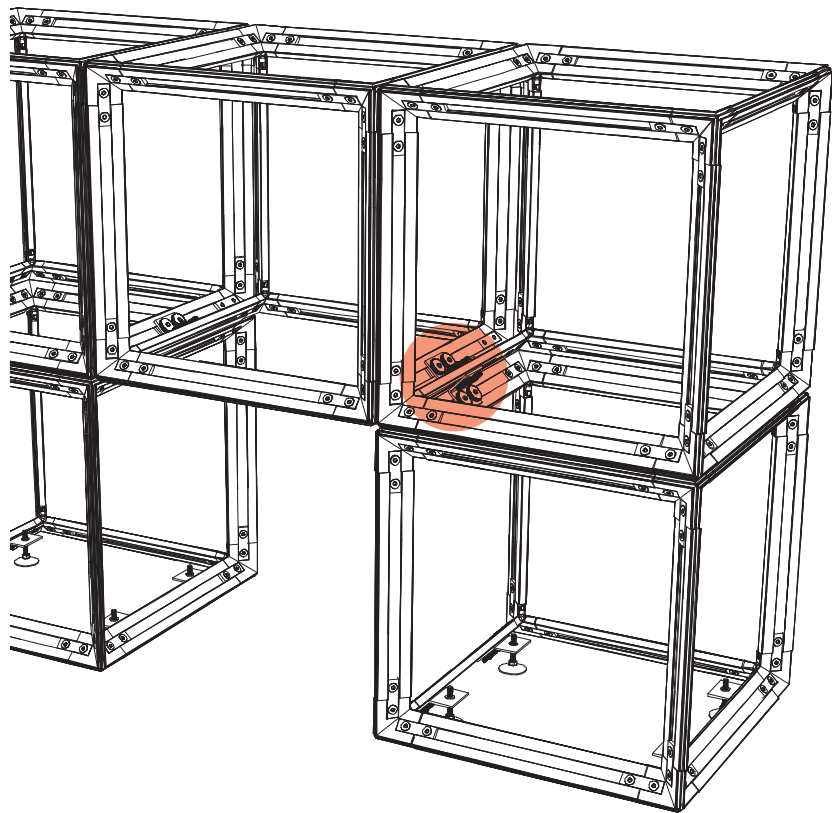


ord.no.
K4F.FK-00000-00

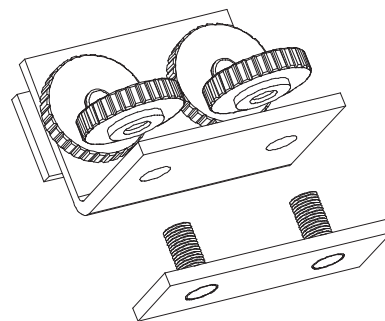


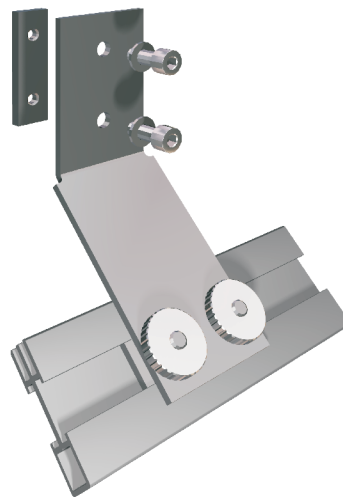
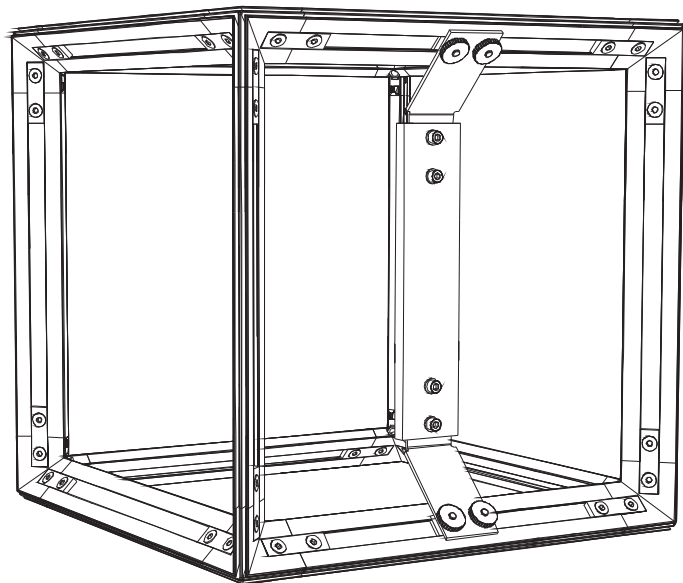
bracket with high adjustable foot

example of use



bracket to link up
ord.no.
K4F.KK-00000-00

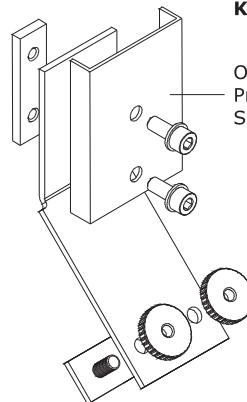




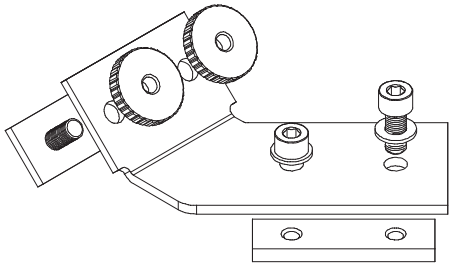
bracket for vertical and horizontal bracings

ord.no.

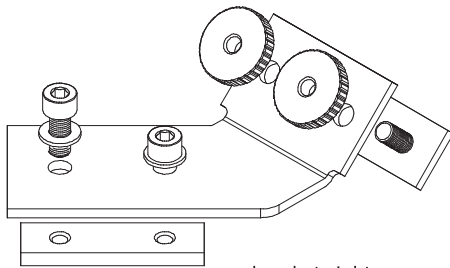
K4F.VK-00000-00



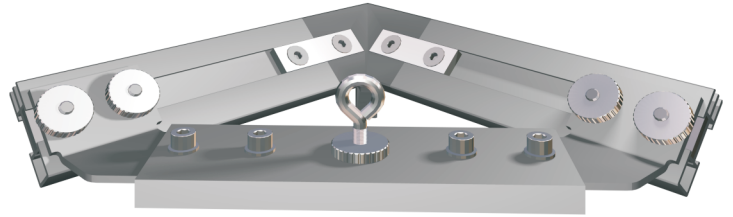
Optional:
Pre-drilled U-Profile
S60.U1-K0000-00



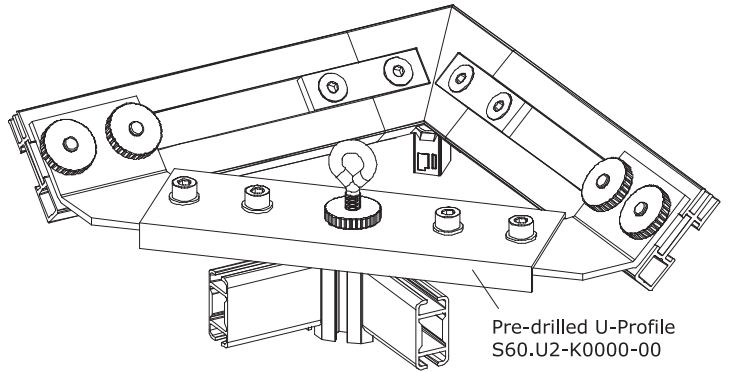
bracket left
ord.no.
K4F.DK-L0000-00



bracket right
ord.no.
K4F.DK-R0000-00



brackets for diagonal bracings
(Optional U-Profile and eye bolt)



diagonal bracings connected to DELTA profile

TRENDSTAND

Exhibition Systems GmbH

Gutenbergstraße 7

D-85748 Garching

Fon: +49 (0)89 327097-0

Fax: +49 (0)89 327097-77

www.trendstand.de

www.zeno-architecture.com

mail@trendstand.de

